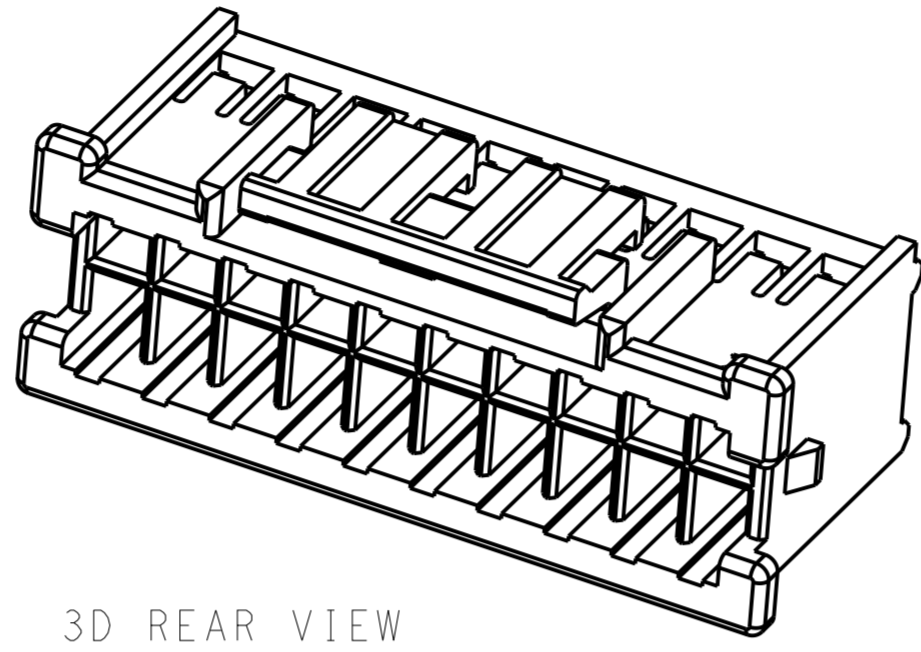
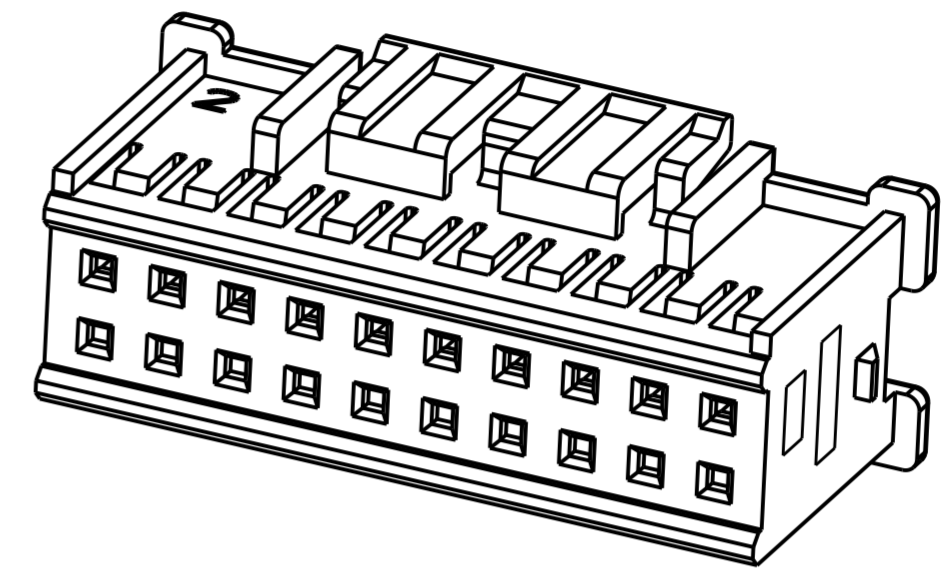


THIS DRAWING IS UNPUBLISHED. RELEASED FOR PUBLICATION 20  
 © COPYRIGHT 20 BY - ALL RIGHTS RESERVED.

| REVISIONS |      |   |     |                             |         |     |      |
|-----------|------|---|-----|-----------------------------|---------|-----|------|
| LOC       | DIST | P | LTR | DESCRIPTION                 | DATE    | DWN | APVD |
| -         | -    |   | A1  | RELEASED PER ECO -14-000783 | 16JAN14 | JR  | KR   |

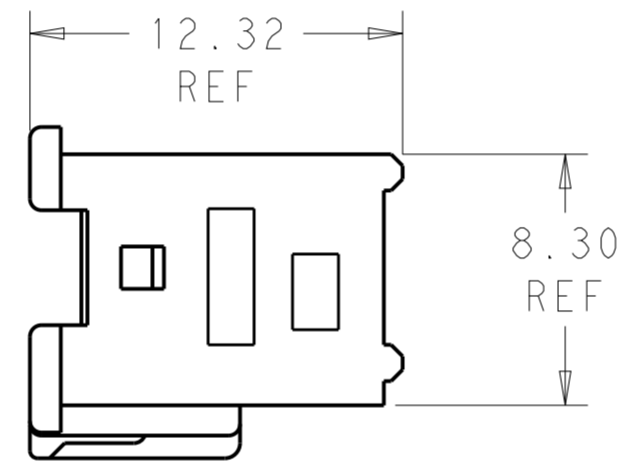
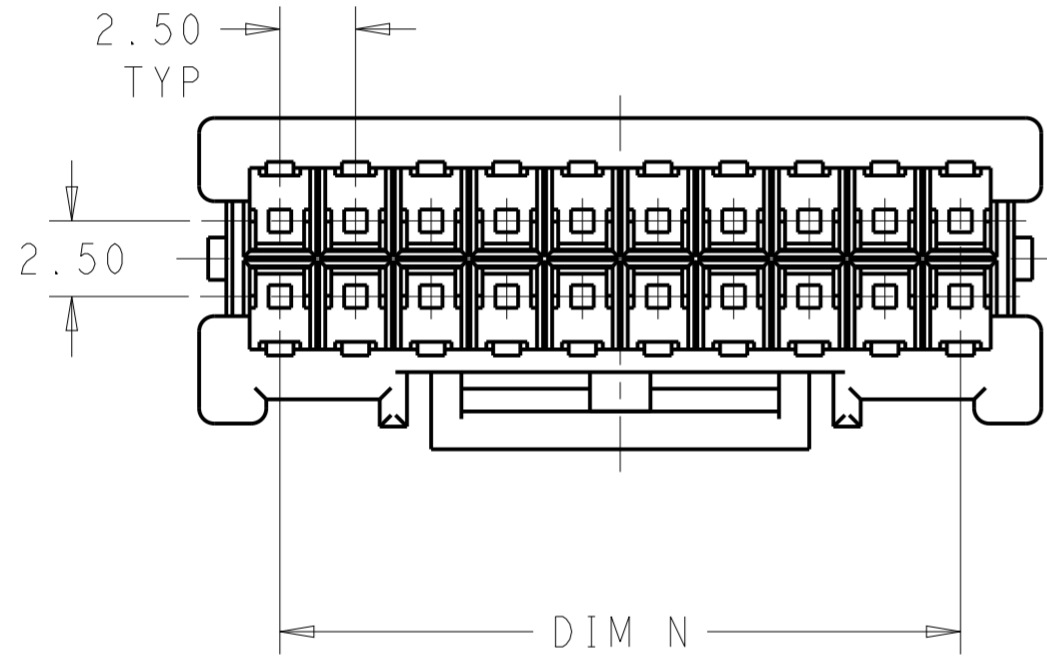


3D REAR VIEW  
20 POSITION SHOWN



3D MATING FACE VIEW  
20 POSITION SHOWN

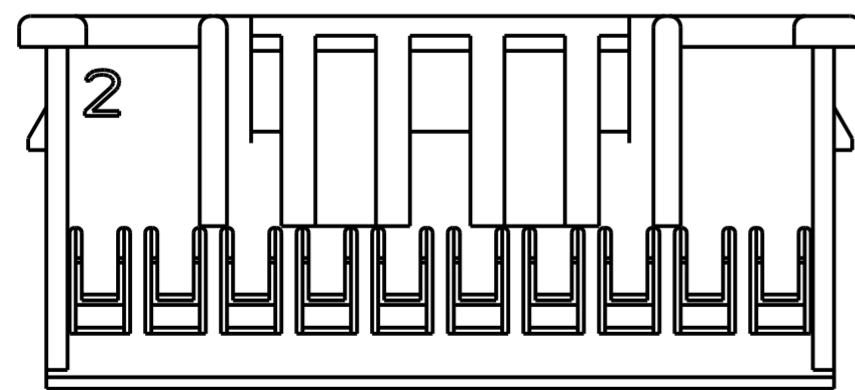
CIRCUIT #1



1 MATERIAL: NYLON, UL94V-0, COLOR:WHITE.

2 SEE SHEET 2 FOR LATCH DESIGN ON THE DIFFERENT PART NUMBERS.

| 1.25    | 2                     | 47.50   | 51.04   | 4-1969540-0 |
|---------|-----------------------|---------|---------|-------------|
| 0.00    | 2                     | 45.00   | 48.54   | 3-1969540-8 |
| 1.25    | 2                     | 42.50   | 46.04   | 3-1969540-6 |
| 0.00    | 2                     | 40.00   | 43.54   | 3-1969540-4 |
| 1.25    | 2                     | 37.50   | 41.04   | 3-1969540-2 |
| 0.00    | 2                     | 35.00   | 38.54   | 3-1969540-0 |
| 1.25    | 2                     | 32.50   | 36.04   | 2-1969540-8 |
| 0.00    | 2                     | 30.00   | 33.54   | 2-1969540-6 |
| 1.25    | 2                     | 27.50   | 31.04   | 2-1969540-4 |
| 0.00    | 2                     | 25.00   | 28.54   | 2-1969540-2 |
| 1.25    | 2                     | 22.50   | 26.04   | 2-1969540-0 |
| 0.00    | 2                     | 20.00   | 23.54   | 1-1969540-8 |
| 2 1.25  | 1                     | 17.50   | 21.04   | 1-1969540-6 |
| 2 0.00  | 1                     | 15.00   | 18.54   | 1-1969540-4 |
| 2 1.25  | 1                     | 12.50   | 16.04   | 1-1969540-2 |
| 2 0.00  | 1                     | 10.00   | 13.54   | 1-1969540-0 |
| 2 1.25  | 1                     | 7.50    | 11.04   | 1969540-8   |
| DIM "M" | NO. OF LATCH CUT-OUTS | DIM "N" | DIM "L" | PART NO.    |

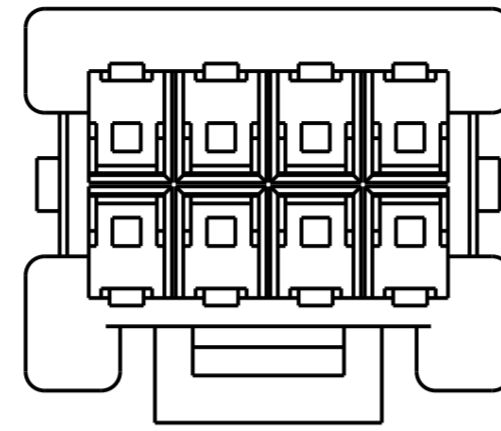
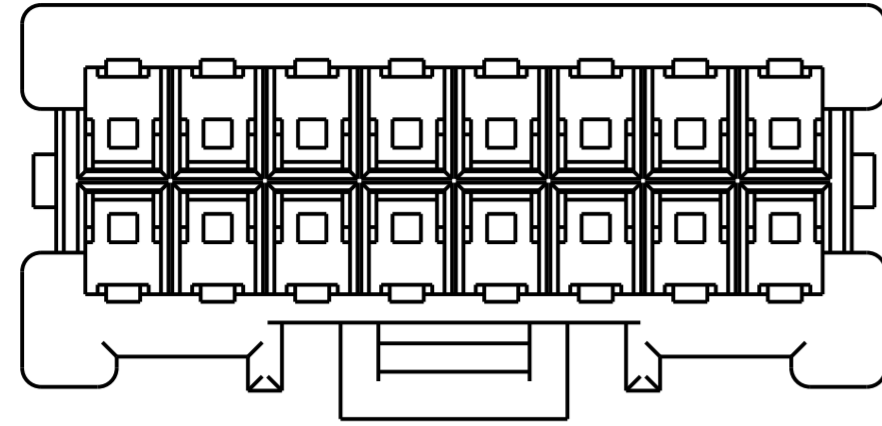


THIS DRAWING IS A CONTROLLED DOCUMENT.

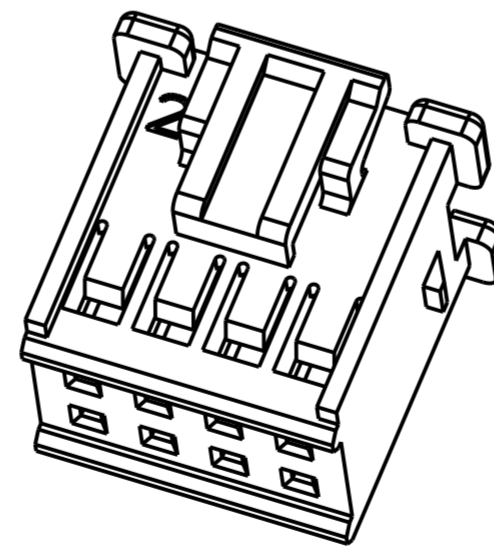
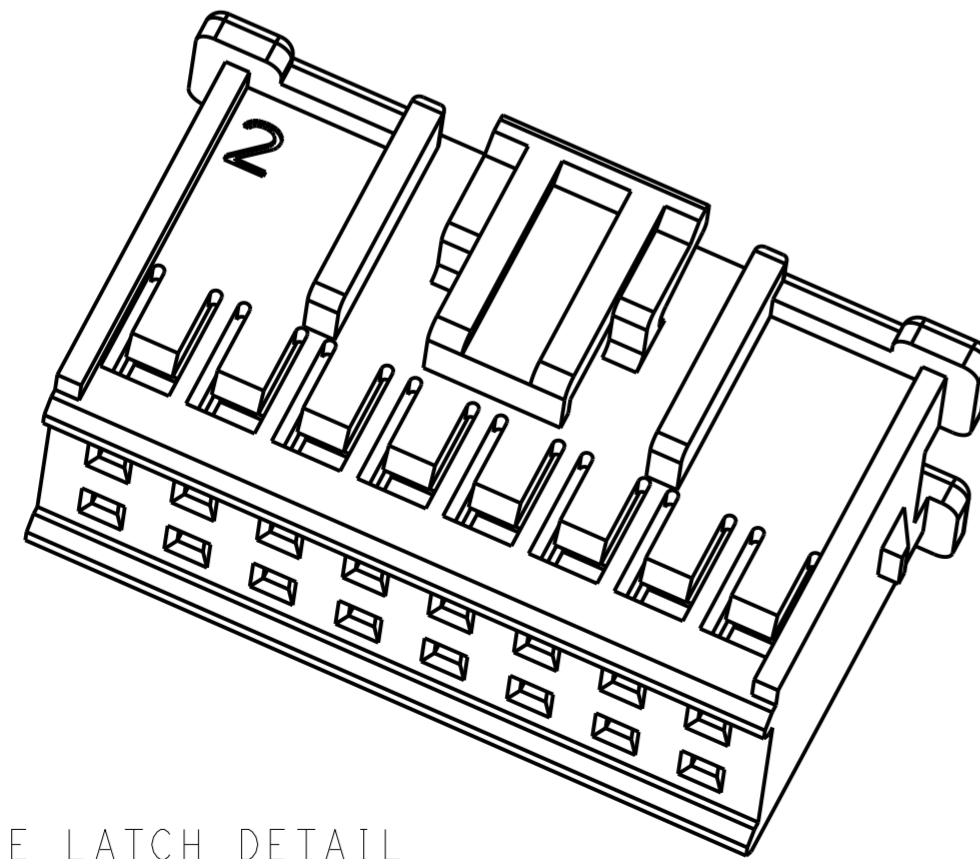
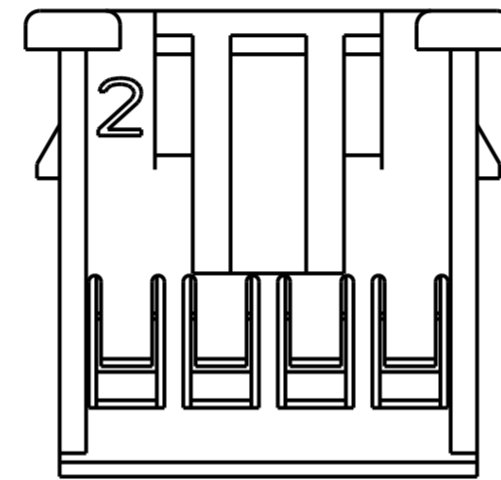
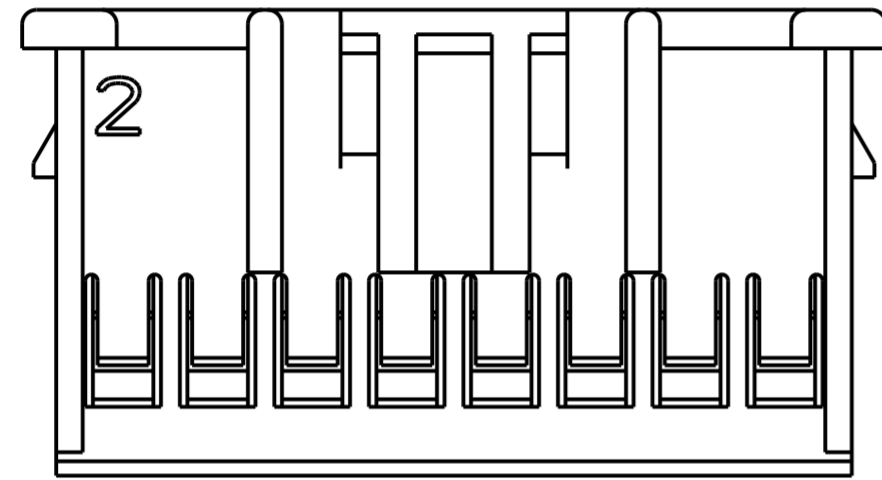
|                |  |                               |   |
|----------------|--|-------------------------------|---|
| DIMENSIONS: mm | TOLERANCES UNLESS OTHERWISE SPECIFIED: | DWN: JR RUTH 01OCT2012        | TE Connectivity<br>NAME: HOUSING, SOCKET, E.P. 2.5, DUAL ROW<br>SIZE: A2 CAGE CODE: 00779 DRAWING NO: C-1969540<br>RESTRICTED TO: - |
|                | 0 PLC ±                                | CHK: KURT RANDOLPH 01OCT2012  |   |
|                | 1 PLC ±                                | APVD: KURT RANDOLPH 01OCT2012 |   |
|                | 2 PLC ±0.25                            | PRODUCT SPEC: 108-2418        |   |
|                | 3 PLC ±                                | APPLICATION SPEC: 114-13315   | SCALE: 3:1 SHEET 1 OF 2 REV A1  |
|                | 4 PLC ±                                | WEIGHT: -                     |   |
| MATERIAL       | FINISH                                 | Customer Drawing              |   |

THIS DRAWING IS UNPUBLISHED. RELEASED FOR PUBLICATION 20  
 © COPYRIGHT 20 BY - ALL RIGHTS RESERVED.

| LOC |     | DIST        |      | REVISIONS |      |  |  |
|-----|-----|-------------|------|-----------|------|--|--|
| P   | LTR | DESCRIPTION | DATE | DWN       | APVD |  |  |
| -   | -   | SEE SHEET 1 | -    | -         | -    |  |  |
|     |     |             |      |           |      |  |  |
|     |     |             |      |           |      |  |  |



SCALE 5:1



SINGLE LATCH DETAIL  
 1-1969540-6 SHOWN HERE  
 THESE DIM'S ARE FOR THE  
 1-1969540-2 THRU -16

SINGLE LATCH DETAIL  
 1969540-8 SHOWN HERE  
 THESE DIM'S ARE FOR THE  
 1969540-8 AND 1-1969540-0

|  |  |                  |               |                  |  |                  |            |                  |   |     |    |
|--|--|------------------|---------------|------------------|--|------------------|------------|------------------|---|-----|----|
| THIS DRAWING IS A CONTROLLED DOCUMENT. |  | DWN              | 01OCT2012     |                  | TE Connectivity                        |                  |            |                  |   |     |    |
| DIMENSIONS:                            |  | CHK              | 01OCT2012     |                  |  |                  |            |                  |   |     |    |
| mm                                     |  | APVD             | 01OCT2012     |                  |  |                  |            |                  |   |     |    |
|  |  | NAME             | KURT RANDOLPH |                  |  |                  |            |                  |   |     |    |
| TOLERANCES UNLESS OTHERWISE SPECIFIED: |  | PRODUCT SPEC     | 108-2418      |                  | HOUSING, SOCKET, E.P. 2.5,<br>DUAL ROW |                  |            |                  |   |     |    |
| 0 PLC ±-                               |  | APPLICATION SPEC | 114-13315     |                  |  |                  |            |                  |   |     |    |
| 1 PLC ±-                               |  | WEIGHT           | -             |                  | SIZE                                   | CAGE CODE        | DRAWING NO | RESTRICTED TO    |   |     |    |
| 2 PLC ±0.25                            |  | Customer Drawing |               | SCALE            | 3:1                                    | SHEET            | 2          | OF               | 2 | REV | A1 |
| 3 PLC ±-                               |  | Customer Drawing |               | A200779          |  | C-1969540        |            | -                |   |     |    |
| 4 PLC ±-                               |  | Customer Drawing |               | Customer Drawing |  | Customer Drawing |            | Customer Drawing |   |     |    |
| ANGLES ±-                              |  | Customer Drawing |               | Customer Drawing |  | Customer Drawing |            | Customer Drawing |   |     |    |
| FINISH ±-                              |  | Customer Drawing |               | Customer Drawing |  | Customer Drawing |            | Customer Drawing |   |     |    |